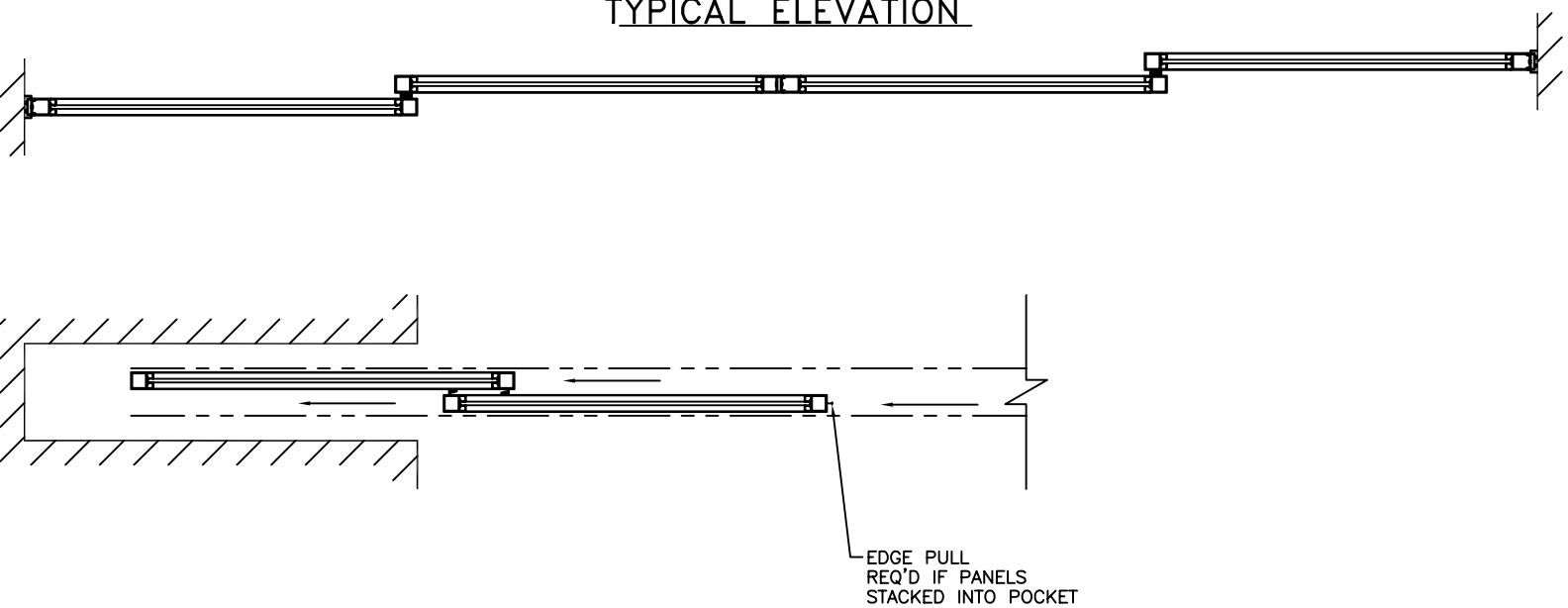
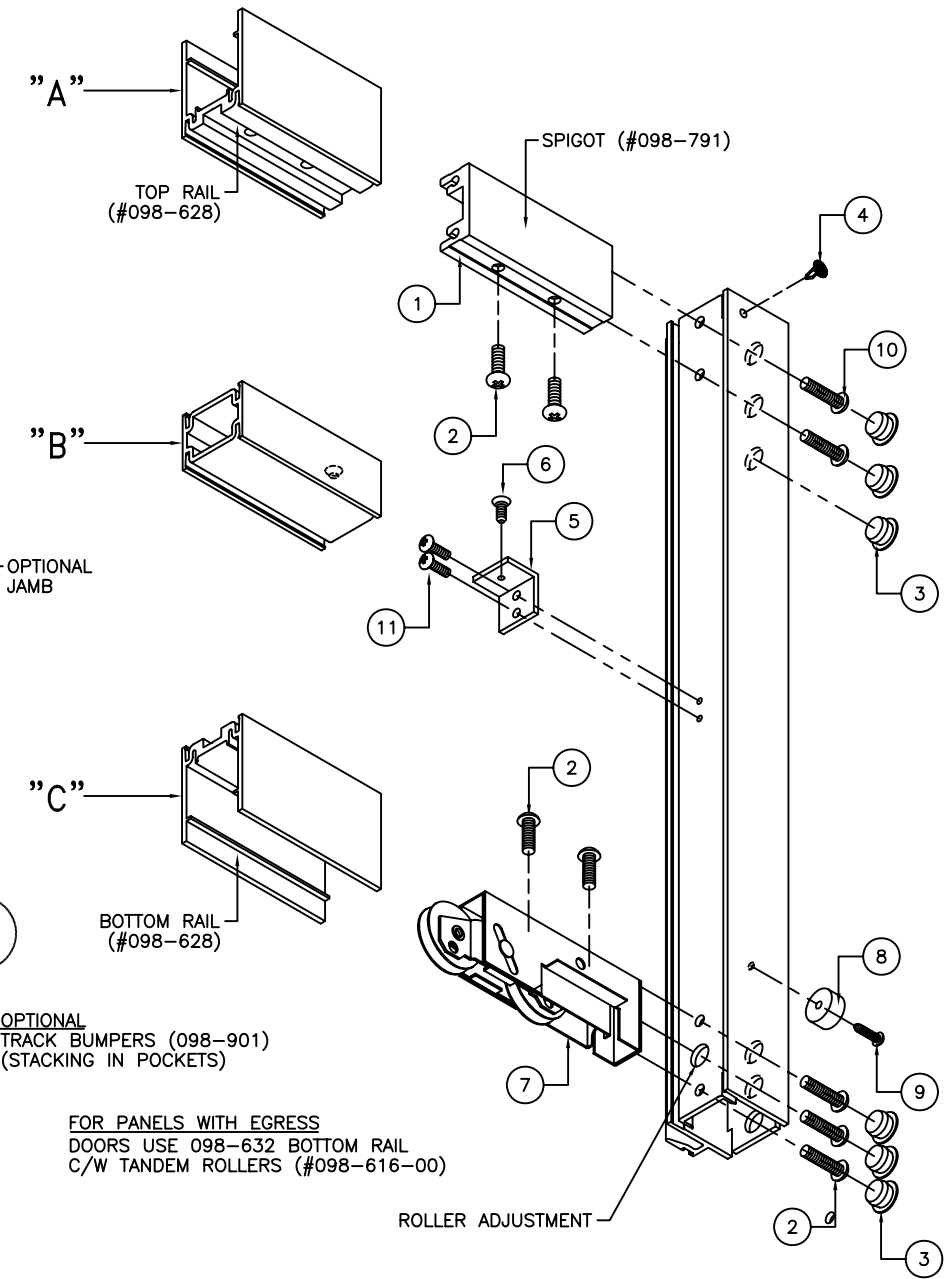


TYPICAL ELEVATION

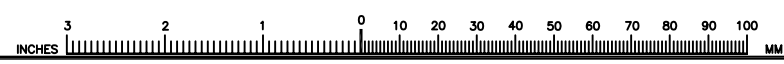


EDGE PULL
REQ'D IF PANELS
STACKED INTO POCKET



FRAME ASSEMBLY ITEMS SHOWN ABOVE		
ITEM No.	PART #	DESCRIPTION
1	098-791-10	CORNER SPIGOT (EXT.#098-790)
2	029-090	1/4-20 x 3/4" R.H. M.S. P.H.
3	098-702-00	1/2"-DIA. HOLE PLUGS (NYLON)
4	098-700-00	NYLON & CLIP GUIDE
5	098-764-10	MUNTIN SPIGOT
6	028-354	#10 x 1/2" F.H. TYPE Z P.H.
7	911-565-00	TANDEM ROLLERS
8	029-122	3/4" DIA. x 3/8" THICK RUBBER BUMPER
9	029-082	#8 x 5/8" R.R.B.S.
10	029-209	1/4-20 x 1" R.H. THREAD CUTTING M.S.
11	028-352	#10 x 1/2" P.H. TYPE B

CLIP PACKAGES FOR DOOR PANELS					
SLIDING PANEL			FIXED PANEL		
PACKAGE No. 98-925			PACKAGE No. 98-924		
PART #	No. OF PARTS	DESCRIPTION	PART #	No. OF PARTS	DESCRIPTION
098-791	2	CORNER SPIGOTS	098-791	4	CORNER SPIGOTS
098-702	12	HOLE PLUGS	098-702	10	HOLE PLUGS
911-565	2	TANDEM ROLLERS	-	-	-
029-090	12	1/4-20 x 3/4" R.H.M.S.	029-090	8	1/4-20 x 3/4" R.H.M.S.
098-700	4	NYLON CLIP GUIDES	098-700	4	NYLON CLIP GUIDES
029-209	4	1/4-20 x 1" THREAD CUTTING	029-209	8	1/4-20 x 1" THREAD CUTTING



GENERAL NOTES

SS EST	PC	DEA
BY	ISSUE	
R.S.	1	
M.M.K.	2	
M.M.K.	3	

REVISION

DATE	REVISION
JULY 12, 83	E.C. #96406-83
FEB. 17/00	E.C. #96406-85, REVISED PROFILES.
MAR. 17/00	E.C. #96406-86, CHANGE INTERMEDIATE SPIGOT AND FASTENER.

DO NOT SCALE THIS PRINT

NOTE:
THE KAWNEER CO. OF CANADA LTD. ASSUMES NO RESPONSIBILITY AS TO MEASUREMENTS OR DETAILS AFFECTING ANY WORK BUT ITS OWN AND IS NOT RESPONSIBLE FOR ANY ERRORS OCCURRING THROUGH THE USE OF THESE DRAWINGS BY OTHER PARTIES.

DEALER'S APPROVAL:
MATERIAL SHOWN ON THIS DRAWING IS APPROVED FOR DESIGN, DIMENSIONS AND HARDWARE. RELEASE FOR FABRICATION AS DETAILED OR WITH CHANGES AS NOTED

DEALER _____
DATE _____
BY _____
TITLE _____

DRAWN DATE	CHECKED DATE
SCALE (PLAN)	SCALE (ELEV.)
DEALER ORDER	ESTIMATE

TITLE (PRODUCTS)

FINISH _____
JOB NAME _____

**"1010C" SLIDER
INSTALLATION INSTRUCTIONS**

DEALER _____
LOCATION _____

KAWNEER
KAWNEER COMPANY CANADA LIMITED
1051 ELLESMERE RD., SCARBOROUGH, ONT. M1P 2X1
M:\PRODUCTS\098\MSC\098-902.DWG

DWG. No. **098-902** SHEET **1 of 1**