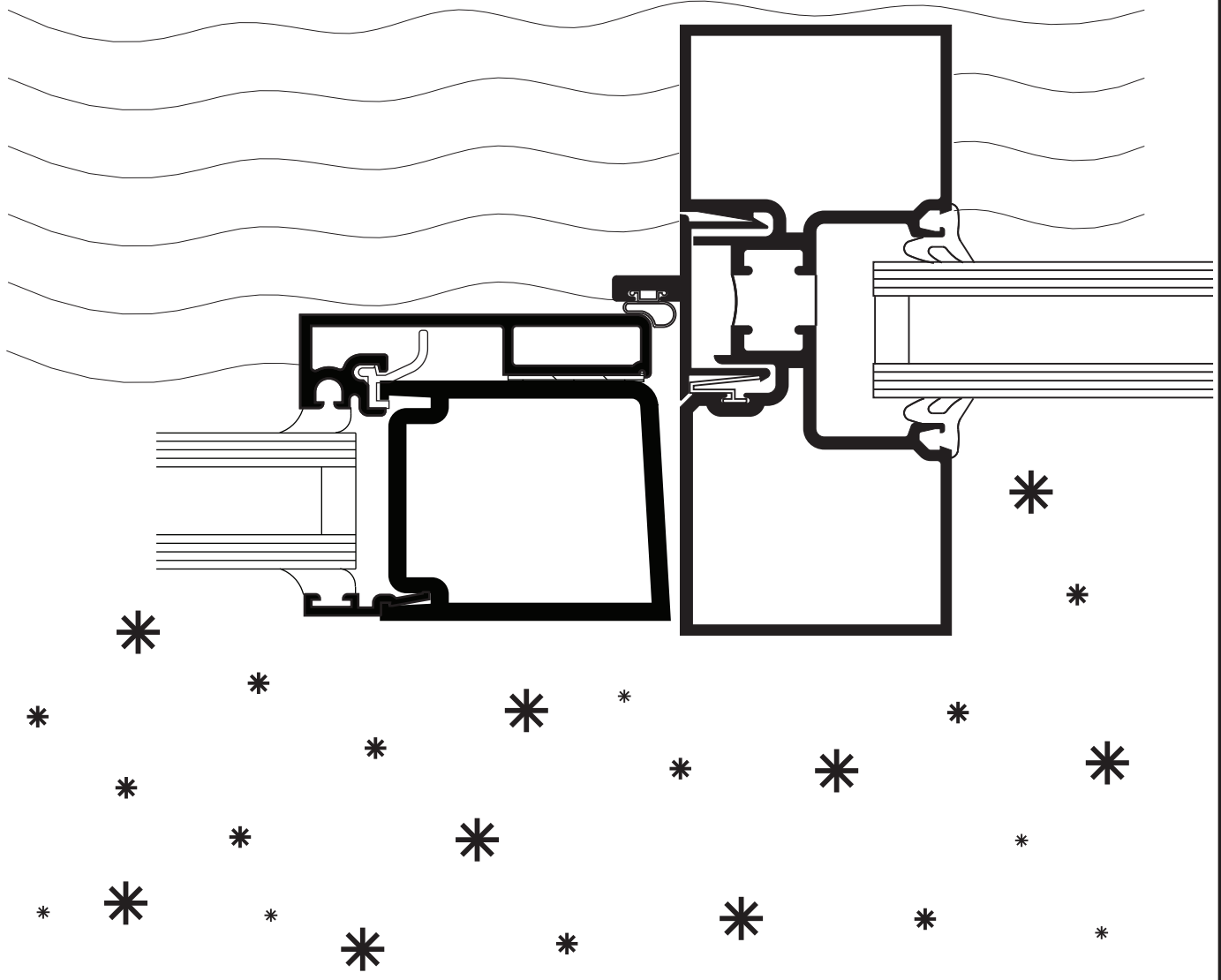


INSTALLATION

Thermal Entrances WITH INSULCLAD® 260/360/560 DOORS AND TRIFAB® VG 451T CENTER FRAMING

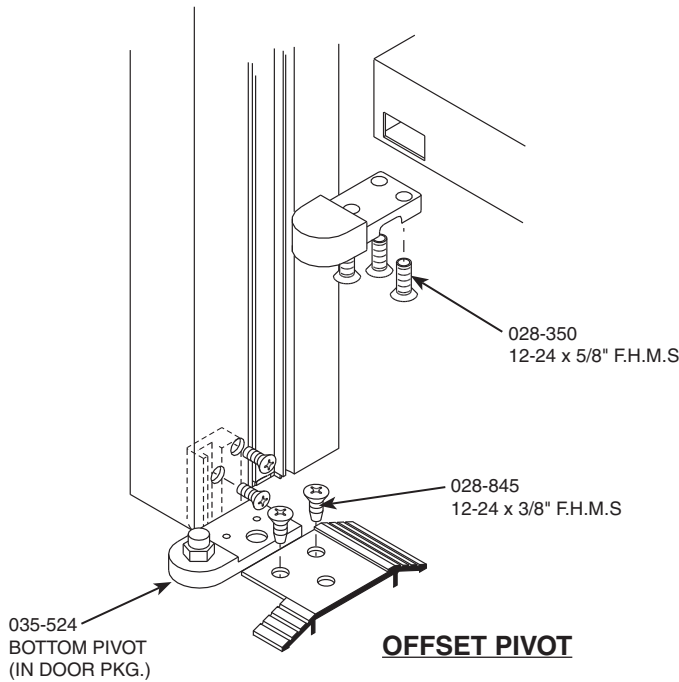
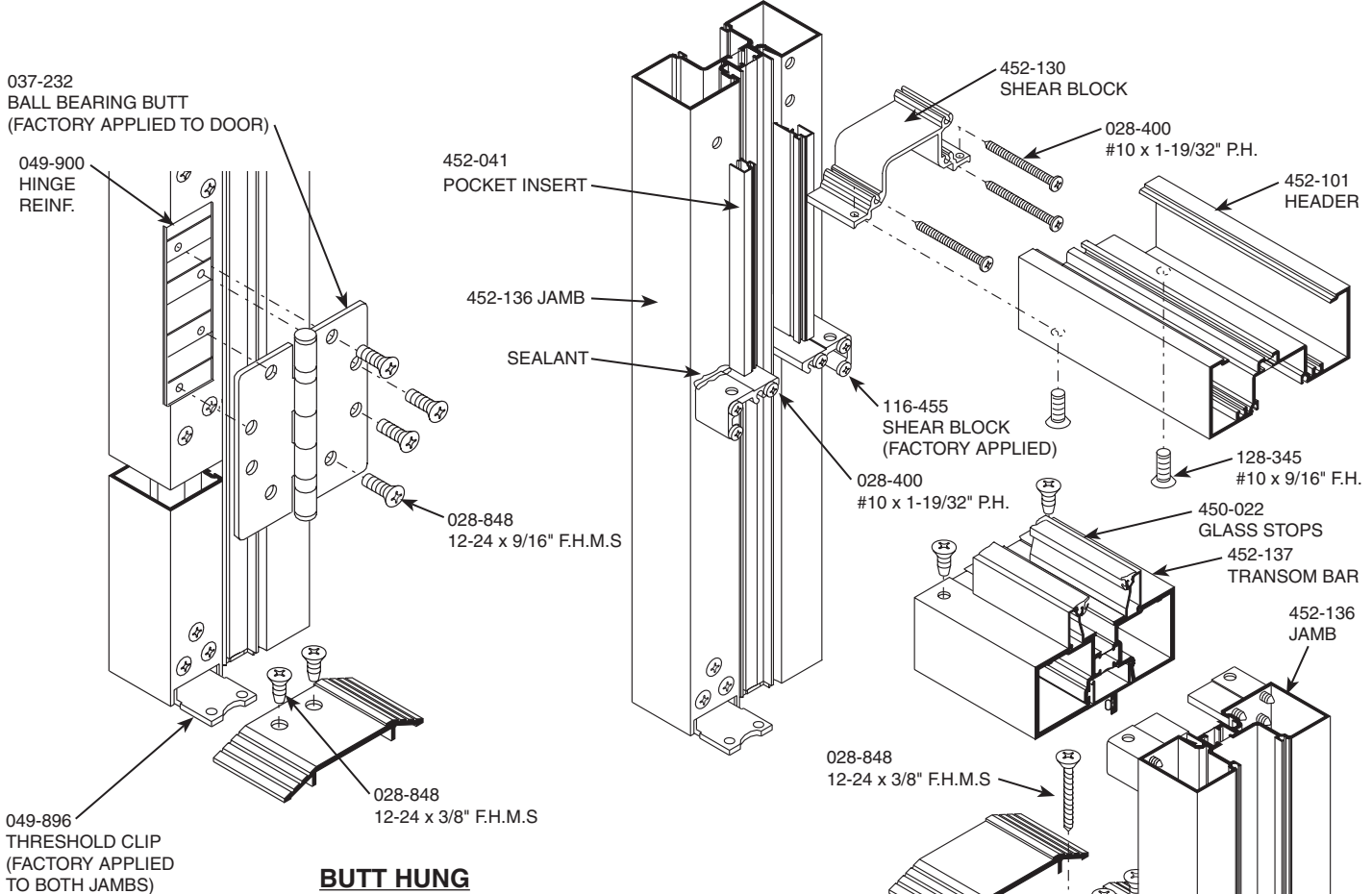


INSTRUCTIONS

Laws and building and safety codes governing the design and use of glazed entrance, window, and curtain wall products vary widely. Kawneer does not control the selection of product configurations, operating hardware, or glazing materials, and assumes no responsibility therefor.

Kawneer reserves the right to change configuration without prior notice when deemed necessary for product improvement.
© Kawneer Company, Inc., 2008

FRAME ASSEMBLY



Laws and building and safety codes governing the design and use of glazed entrance, window, and curtain wall products vary widely. Kawneer does not control the selection of product configurations, operating hardware, or glazing materials, and assumes no responsibility therefor.

Kawneer reserves the right to change configuration without prior notice when deemed necessary for product improvement.
© Kawneer Company, Inc., 2008

FRAME ASSEMBLY AND INSTALLTION

ASSEMBLE FRAME AS SHOWN (SEE PAGE 2)

1. Check opening allowing enough shim space at top and sides so that frame may be plumbed and squared.
 2. Cut jambs to desired length.
 3. Apply sealant to the factory applied transom bar shear blocks and the ends of the transom bar, if required.
 4. Attach to bottom pivot(s) to jamb(s), then threshold to pivot(s) and/or clip. Attach top pivot(s) to transom bar, if required.
- NOTE:** Refer to Installation Instructions for Trifab® VG (451-VG-970 or 451-VG-971) for assembly and installation of parts other than the door and immediate frame.

INSTALL ASSEMBLE FRAME

1. Position assembled frame plumb and square in opening.
2. For a perimeter condition with the door jamb mullion, drill 1/2" Dia. hole for 420-460 plug. Drill clearance hole for 1/4" fastener. Maximum fastener spacing is 24". See below for additional head and sill requirements (Figure 1).
3. Secure jambs and header in opening.
4. Secure threshold to floor.

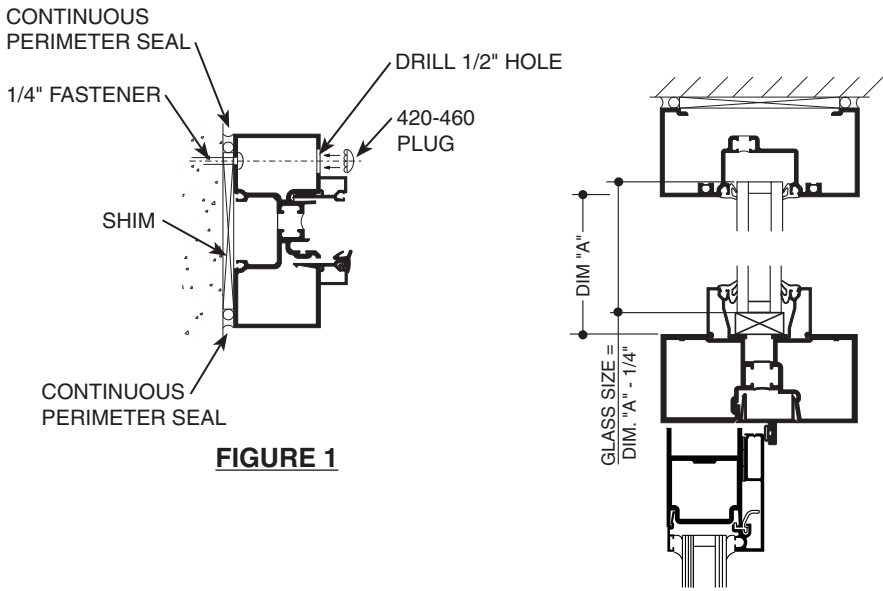


FIGURE 1

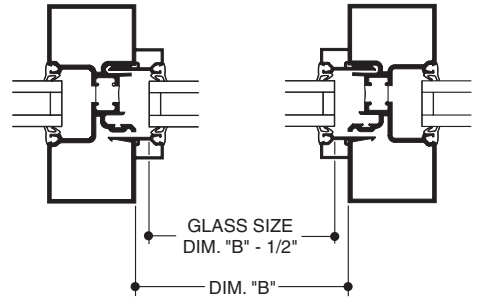


FIGURE 2

GLAZE FRAME

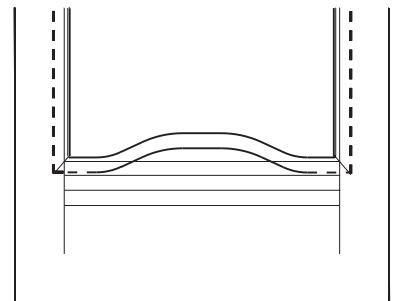
1. Cut interior and exterior push-in gasket to an approximate length of D.L.O. + 1/2". Install interior gasket in reglet (Figure 3).
 2. See (Figure 2) for transom area glass size.
 3. Position glass in frame using standard flush glazing technique. Position setting blocks under glass and install glass stops.
 4. Push exterior gasket into reglet (Figure 3).
- NOTE:** Opening glazing joints are a major source of leakage.

FIGURE 3



027-074

GLASS THICKNESS	SETTING BLOCK	GASKET (BOTH SIDES)
1"	027-080	027-074



- Gasket = Approximately D.L.O. + 1/2"
- Horizontal Gasket runs through
- Start at ends and work towards center

Laws and building and safety codes governing the design and use of glazed entrance, window, and curtain wall products vary widely. Kawneer does not control the selection of product configurations, operating hardware, or glazing materials, and assumes no responsibility therefor.

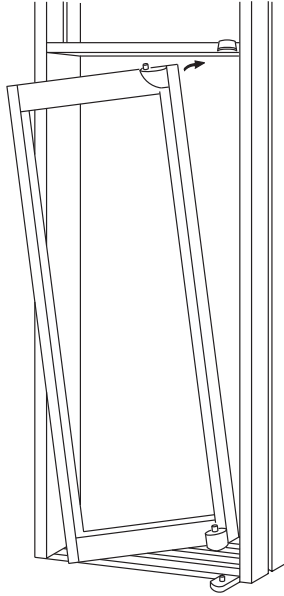
Kawneer reserves the right to change configuration without prior notice when deemed necessary for product improvement.

© Kawneer Company, Inc., 2008

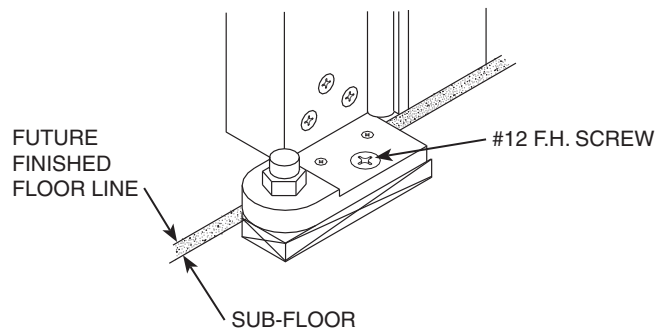
DOOR INSTALLATION

OVERHEAD CLOSERS

OFFSET PIVOT SHOWN, BUTT HUNG SIMILAR

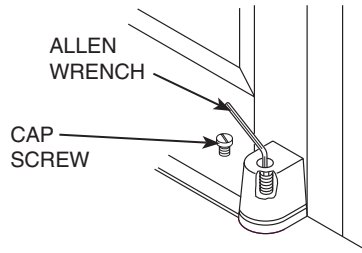


When pivot is not resting on finished floor, shim with wood block as shown and anchor to sub-floor with a #12 F.H. Screw. See Frame Installation Instructions as required.



1. Place frame half of top pivot in position into transom bar and secure in place using (3) 028-350 screws #12-24 x 5/8" M.S.
2. Set door in frame so that door portion of the bottom pivot engages spindle of frame portion of the pivot.
3. Depress pin in top door portion pivot and slip under frame portion until positive engagement is felt.

SKETCH 1



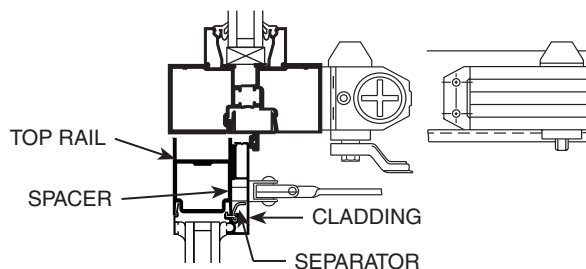
NOTE: The bottom pivot is pre-adjusted to provide 1/8" clearance between door top rail and frame transom bar. For further vertical adjustment, see SKETCH 1.

Remove cap screw and insert allen wrench. Turn adjustment screw clockwise to raise door, counterclockwise to lower door.

4. When door is properly positioned, secure closer body to transom bar per instructions provided with closer.
5. Attach closer arm to door per following special instructions:
 - a. Drill through cladding and separator into top rail using #7 drill. (See closer instructions for hole locations).
 - b. Enlarge holes in cladding and separator **only** using 3/8" drill.

NOTE: The 3/8" holes must be **no deeper than 1/2"** from surface of cladding.
 - c. Tap holes in top rail for 1/4"-20 screws.
 - d. Insert 3/8" tubular spacers (116-163) into enlarged holes and attach arm with 1/4"-20 x 7/8" (028-573 screws).

SPECIAL ARM ATTACHMENT FOR SURFACE CLOSER



INSTALLATION INSTRUCTIONS

GLAZING INSTRUCTIONS

NOTE: Glass sizes and size formulas for Insulclad doors are the same as those for 190 doors, ie: Doorlite opening less 3/8".

1. Raise adjustable setting block 4 to a maximum retracted position (Figure 1).
2. Install setting block at 1 and caps at 2,3 and 4. Setting block and caps found in glazing package (Figure 1).
3. Install glass in place, centered between stiles and tight against bottom rubber setting block (Figure 1).
4. Using thumb or tool, rotate glass jacks counterclockwise to set against glass (Figure 2).
5. Install **vertical** glass stops first, then horizontals.
6. Turn the adjustable setting block screw clockwise and adjust for uniform clearance between top edge of door and frame.
7. Install push pull hardware.

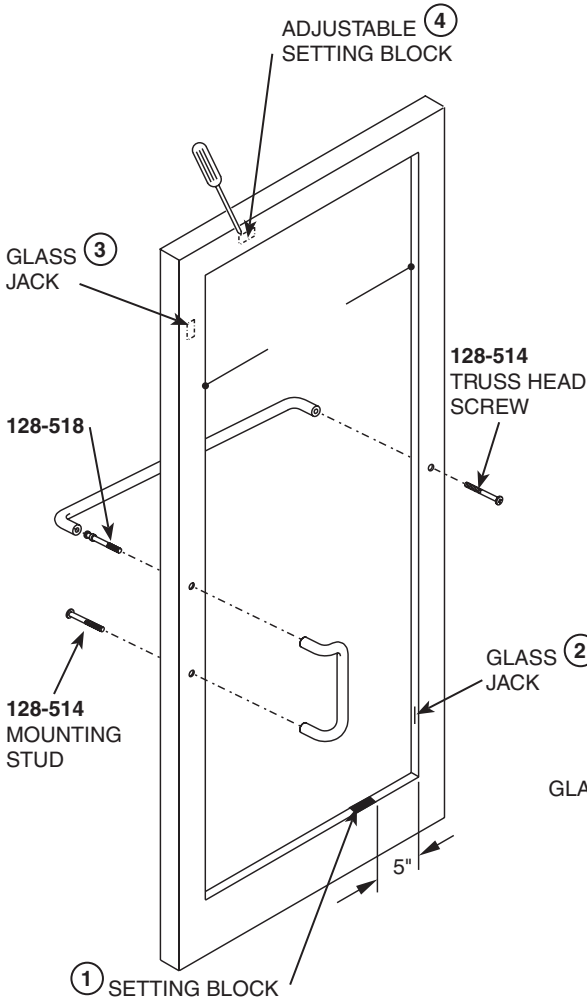


FIGURE 1

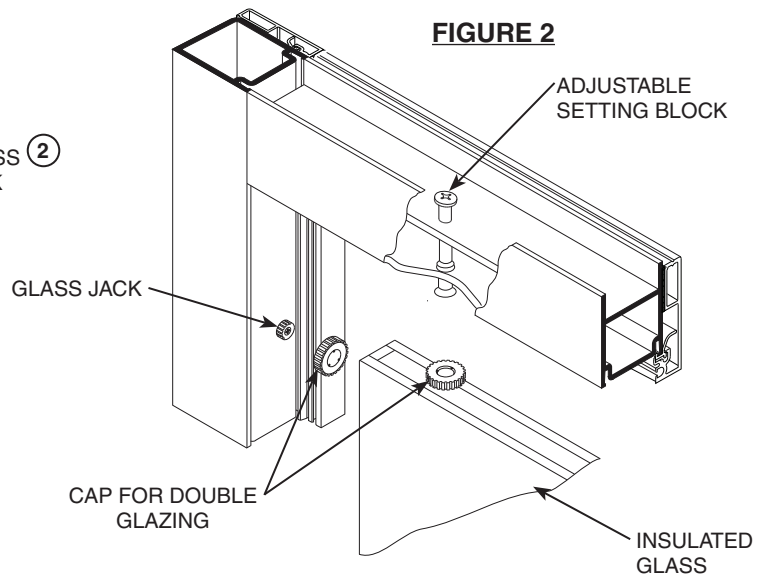


FIGURE 2

WEATHERING ADJUSTMENTS

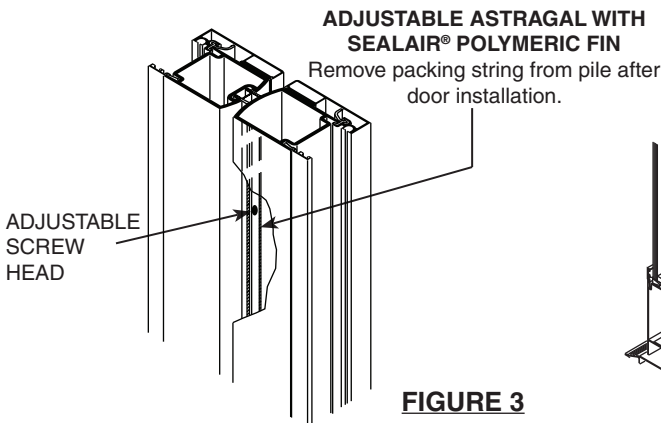


FIGURE 3

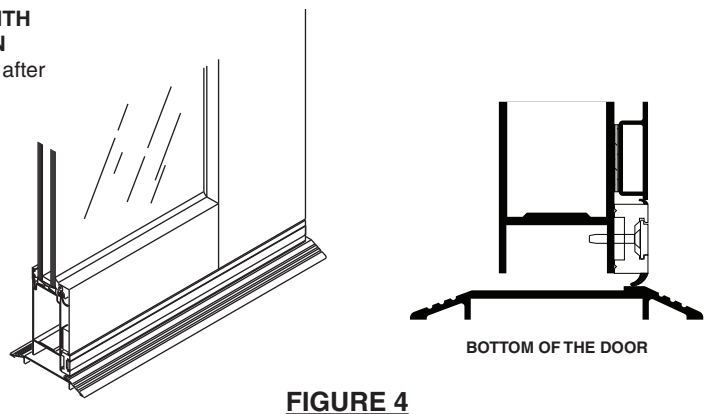


FIGURE 4

MEETING STILES OF A PAIR OF DOORS

Proper clearance of weathering for pairs of doors is maintained by adjusting the weathered astragal. Turn screws clockwise to retract the weathering and counterclockwise to extend the weathering (Figure 3).

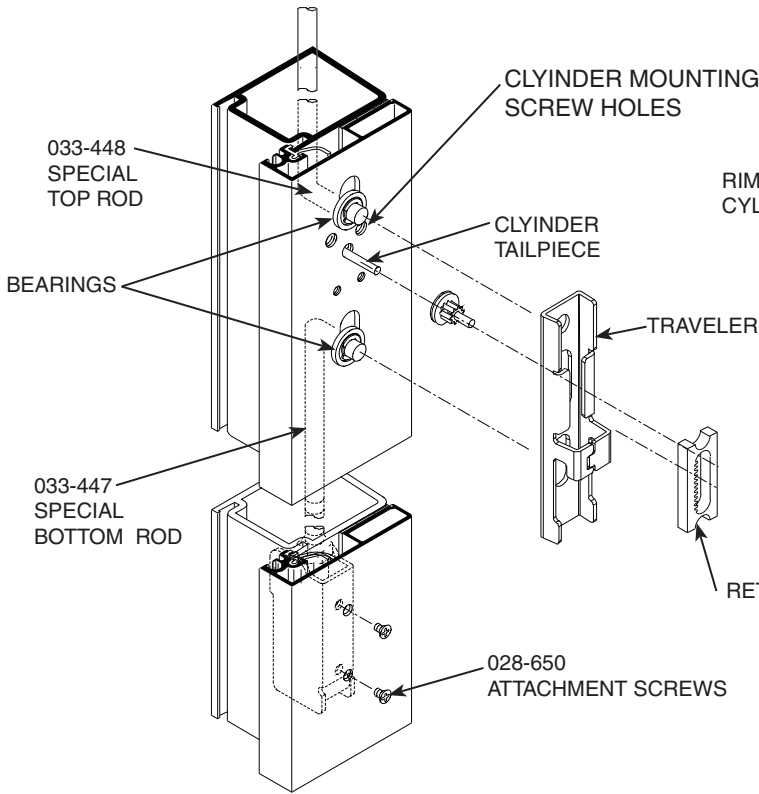
Swing door to partial open position as shown by Figure 4 so as to allow the rubber of the weathering strip to maintain continuous contact on the flat portion of the threshold (do not compress rubber). The weathering strip is not designed to act as a "sweep", yet when properly installed it must maintain contact with the raised lip of the threshold.

Laws and building and safety codes governing the design and use of glazed entrance, window, and curtain wall products vary widely. Kawneer does not control the selection of product configurations, operating hardware, or glazing materials, and assumes no responsibility therefor.

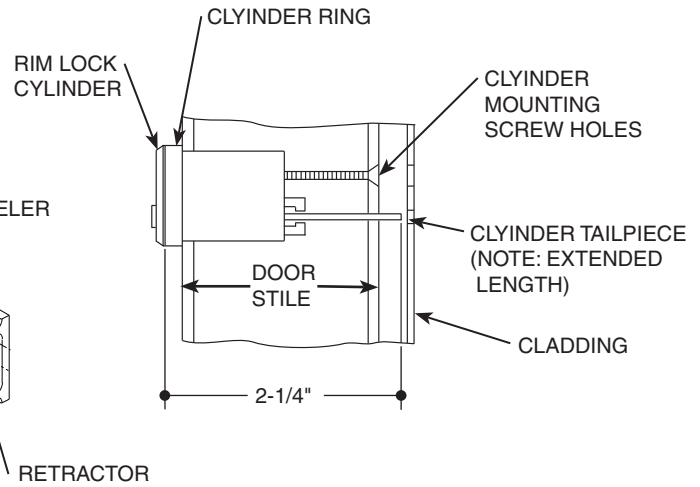
Kawneer reserves the right to change configuration without prior notice when deemed necessary for product improvement.
© Kawneer Company, Inc., 2008

SPECIAL INFORMATION FOR STANDARD PANIC EXIT DEVICES

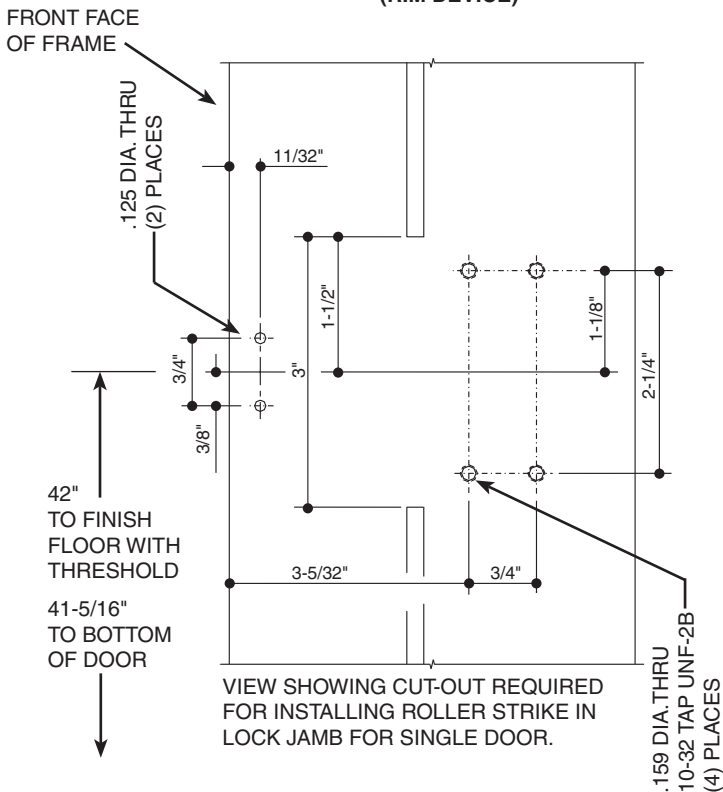
SPECIAL PARTS IDENTIFICATION (CONCEALED ROD DEVICE)



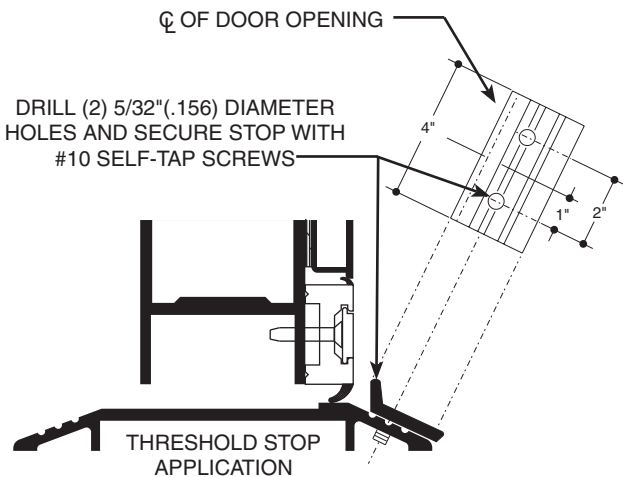
LOCK CYLINDER BY OTHERS (CONCEALED ROD AND RIM DEVICES)



JAMB STRIKE MOUNTING (RIM DEVICE)



THRESHOLD STOP APPLICATION (CONCEALED ROD AND RIM DEVICES)

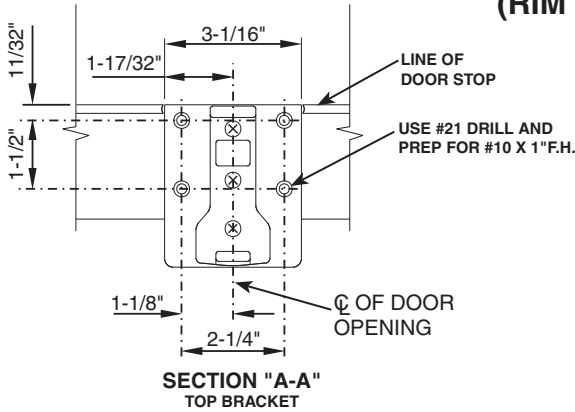


Laws and building and safety codes governing the design and use of glazed entrance, window, and curtain wall products vary widely. Kawneer does not control the selection of product configurations, operating hardware, or glazing materials, and assumes no responsibility therefor.

Kawneer reserves the right to change configuration without prior notice when deemed necessary for product improvement.
© Kawneer Company, Inc., 2008

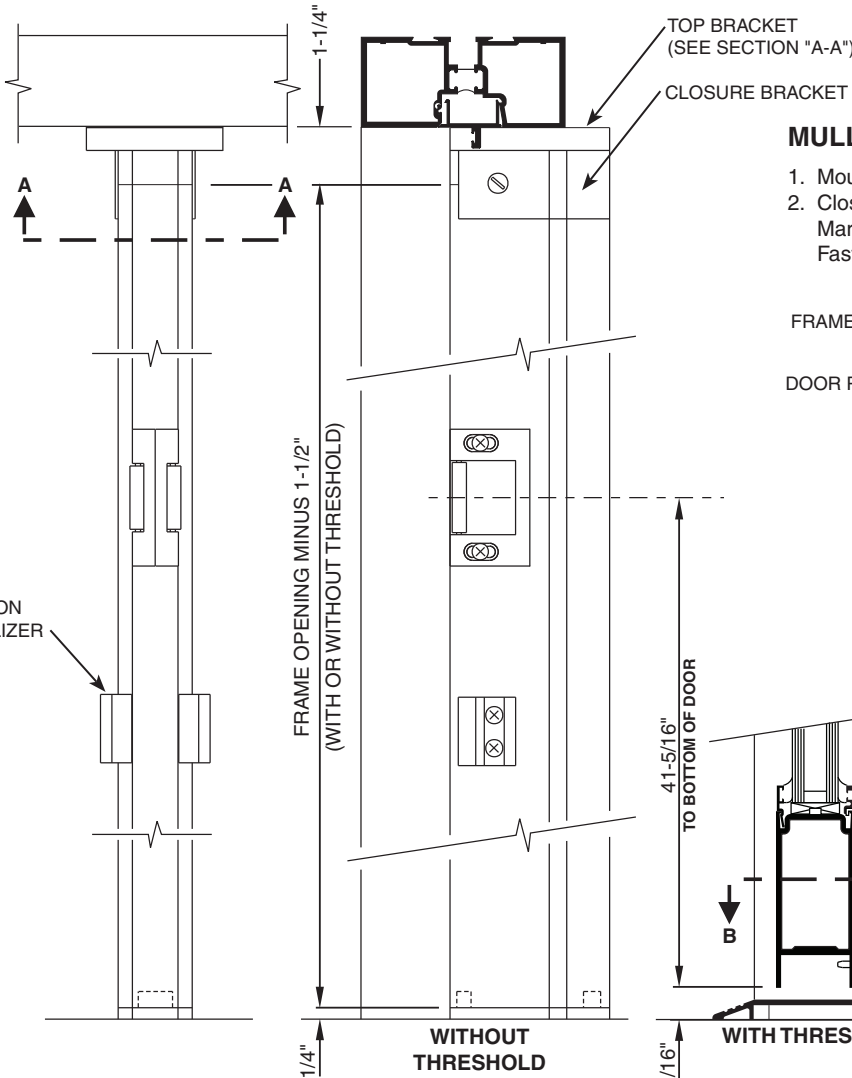
INSTALLATION INSTRUCTIONS

REMOVABLE MULLION INSTRUCTIONS
(RIM TYPE DEVICE)



MULLION INSTALLATION

1. Field notch threshold as shown below.
2. Mount top and bottom brackets as shown.
3. Check mullion for correct length from bottom of mullion to centerline of strike.
 - A. Cut bottom if necessary. (Custom or w/o threshold)
 - B. Cut to proper overall length.
4. Slip into top bracket, pick-up and swing onto bottom bracket, set into place on top bracket, install closure bracket.
5. Install mullion stabilizers. (See Figure 1)



MULLION STABILIZER INSTALLATION

1. Mount frame portion to mullion as shown.
2. Close door, position door portion as shown. Mark holes, drill and tap for #10-32 flat head. Fasten to door stile.

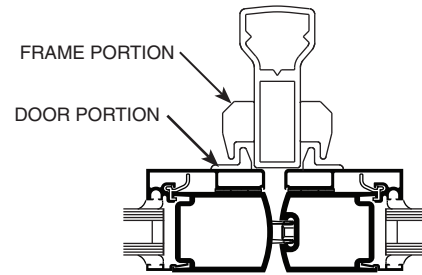
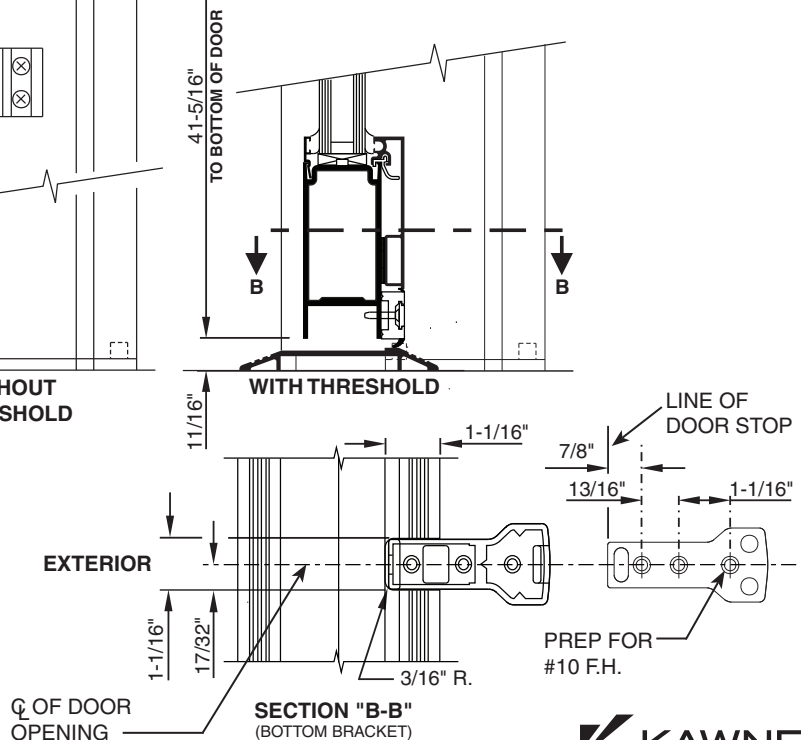


FIGURE 1



Laws and building and safety codes governing the design and use of glazed entrance, window, and curtain wall products vary widely. Kawneer does not control the selection of product configurations, operating hardware, or glazing materials, and assumes no responsibility therefor.

 Kawneer reserves the right to change configuration without prior notice when deemed necessary for product improvement.

 © Kawneer Company, Inc., 2008

INSULCLAD 260/360/560

INSTALLATION INSTRUCTIONS

DECEMBER, 2008

(PART NO. 116-728) EC 97904-22



KAWNEER COMPANY, INC.
555 GUTHRIDGE COURT
NORCROSS, GA 30092