



CONTENTS


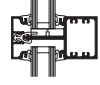
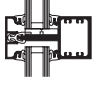
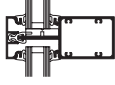
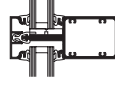
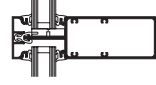
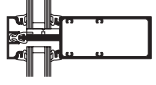
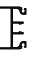
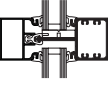
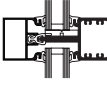
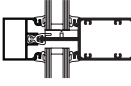
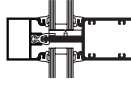
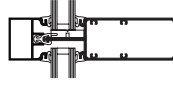
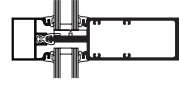
SECTION C9... EnCORE®

	PAGE
EnCORE® COMPONENTS AND COMBINATIONS	C9/2 THRU C9/5
EnCORE® MOLDINGS	C9/6 THRU C9/15
EnCORE® ACCESSORIES	C9/16 THRU C9/18

Laws and building and safety codes governing the design and use of glazed entrance, window, and curtain wall products vary widely. Kawneer does not control the selection of product configurations, operating hardware, or glazing materials, and assumes no responsibility therefor.

Kawneer reserves the right to change configuration without prior notice when deemed necessary for product improvement.
© Kawneer Company, Inc., 2008


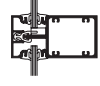
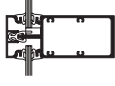
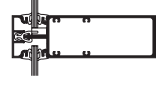
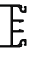
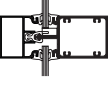
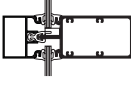
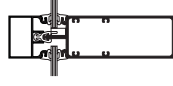
MULLION COMPONENTS AND COMBINATIONS – FOR 1" GLAZING

MULLIONS →	1 ¹ / ₁₆ "	1 ¹ / ₁₆ "	2 ¹ / ₂ "	2 ¹ / ₂ "	4"	4"
FACES ↓	175003	175004	175053	175054	175103	175104
5/8" 	3 ⁹ / ₁₆ "	3 ⁹ / ₁₆ "	4 ¹ / ₂ "	4 ¹ / ₂ "	6"	6"
175155						
1 ¹ / ₁₆ " 	4 ¹ / ₂ "	4 ¹ / ₂ "	5 ⁷ / ₁₆ "	5 ⁷ / ₁₆ "	6 ¹⁵ / ₁₆ "	6 ¹⁵ / ₁₆ "
175156						

SILICONE GLAZE MULLIONS – FOR 1" GLAZING

MULLIONS →	1 ¹ / ₂ "	2 ⁷ / ₁₆ "	3 ¹⁵ / ₁₆ "
	175008	175058	175108
	For 3 ⁹ / ₁₆ " System	For 4 ¹ / ₂ " System	For 6" System

MULLION COMPONENTS AND COMBINATIONS – FOR 1/4" GLAZING

MULLIONS →	2 ⁵ / ₁₆ "	3 ¹ / ₄ "	4 ³ / ₄ "
FACES ↓	175023	175073	175123
5/8" 	3 ⁹ / ₁₆ "	4 ¹ / ₂ "	6"
175155			
1 ¹ / ₁₆ " 	4 ¹ / ₂ "	5 ⁷ / ₁₆ "	6 ¹⁵ / ₁₆ "
175156			

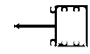
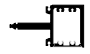



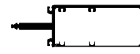


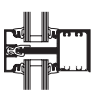
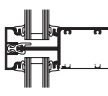
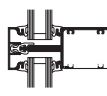
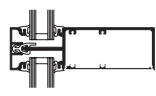
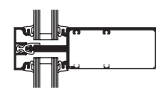

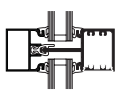
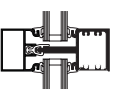
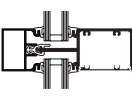
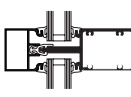
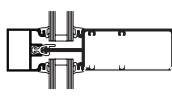
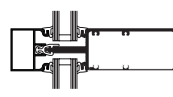
SILICONE GLAZE MULLIONS – FOR 1/4" GLAZING

MULLIONS →	2 ¹ / ₄ "	3 ³ / ₁₆ "	4 ¹¹ / ₁₆ "
	175028	175078	175128
	For 3 ⁹ / ₁₆ " System	For 4 ¹ / ₂ " System	For 6" System

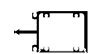



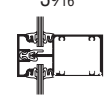
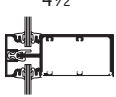
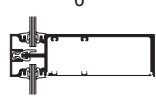

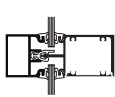
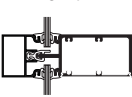
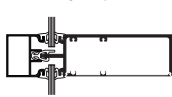
Laws and building and safety codes governing the design and use of glazed entrance, window, and curtain wall products vary widely. Kawneer does not control the selection of product configurations, operating hardware, or glazing materials, and assumes no responsibility therefor.

Kawneer reserves the right to change configuration without prior notice when deemed necessary for product improvement.
© Kawneer Company, Inc., 2008

SPLIT MULLION COMPONENTS AND COMBINATIONS – FOR 1" GLAZING

MULLIONS →						
FACES ↓	175005/007	175006/007	175055/057	175056/057	175105/107	175106/107
5/8" 						
175155						
1 1/16" 						
175156						

SPLIT MULLION COMPONENTS AND COMBINATIONS – FOR 1/4" GLAZING

MULLIONS →			
FACES ↓	175025/027	175075/077	175125/127
5/8" 			
175155			
1 1/16" 			
175156			

Laws and building and safety codes governing the design and use of glazed entrance, window, and curtain wall products vary widely. Kawneer does not control the selection of product configurations, operating hardware, or glazing materials, and assumes no responsibility therefor.

Kawneer reserves the right to change configuration without prior notice when deemed necessary for product improvement.

© Kawneer Company, Inc., 2008

1 3/4" – STANDARD PERIMETER COMPONENTS AND COMBINATIONS – FOR 1" GLAZING

GUTTERS →	1 1/16"	2 1/2"	4"
FACES ↓	175001	175051	175101
5/8"	3 9/16"	4 1/2"	6"
175155			
1 1/16"	4 1/2"	5 7/16"	6 15/16"
175156			

1 3/4" – STANDARD PERIMETER COMPONENTS AND COMBINATIONS – FOR 1/4" GLAZING

GUTTERS →	2 5/16"	3 1/4"	4 3/4"
FACES ↓	175021	175071	175121
5/8"	3 9/16"	4 1/2"	6"
175155			
1 1/16"	4 1/2"	5 7/16"	6 15/16"
175156			

Laws and building and safety codes governing the design and use of glazed entrance, window, and curtain wall products vary widely. Kawneer does not control the selection of product configurations, operating hardware, or glazing materials, and assumes no responsibility therefor.

Kawneer reserves the right to change configuration without prior notice when deemed necessary for product improvement.

© Kawneer Company, Inc., 2008

1 1/4" – NARROW PERIMETER COMPONENTS AND COMBINATIONS – FOR 1" GLAZING

	1 9/16"	2 1/2"	4"
GUTTERS →			
FACES ↓	175011	175061	175111
5/8"	3 9/16"	4 1/2"	6"
175157			
1 1/16"	4 1/2"	5 7/16"	6 15/16"
175158			

1 1/4" – NARROW PERIMETER COMPONENTS AND COMBINATIONS – FOR 1/4" GLAZING




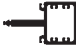
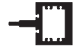






	2 5/16"	3 1/4"	4 3/4"
GUTTERS →			
FACES ↓	175031	175081	175131
5/8"	3 9/16"	4 1/2"	6"
175157			
1 1/16"	4 1/2"	5 7/16"	6 15/16"
175158			

Laws and building and safety codes governing the design and use of glazed entrance, window, and curtain wall products vary widely. Kawneer does not control the selection of product configurations, operating hardware, or glazing materials, and assumes no responsibility therefor.

Kawneer reserves the right to change configuration without prior notice when deemed necessary for product improvement.
© Kawneer Company, Inc., 2008

MOLDINGS

EC-97912-02

DESCRIPTION	PART NO.	FT./UNIT	FINISH	PRICE/UNIT	UNITS/PKG.
FACES					
 5/8" FACE	175155	24'	#17 GRP	\$ 67.00	12
			#40 GRP	75.00	
			#29 GRP	83.00	
 1 1/8" FACE	175156	24'	#17 GRP	100.00	12
			#40 GRP	114.00	
			#29 GRP	125.00	
MULLIONS - 1" SYSTEM					
 1 1/8" MULLION	175003	24'	#17 GRP	188.00	6
			#40 GRP	198.00	
			#29 GRP	224.00	
 1 1/8" HEAVY MULLION	175004	24'	#17 GRP	236.00	4
			#40 GRP	246.00	
			#29 GRP	270.00	
 1 1/2" SILICONE GLAZE MULLION	175008	24'	#17 GRP	288.00	3
			#40 GRP	302.00	
			#29 GRP	332.00	
 1 1/8" SPLIT MULLION	175005	24'	#17 GRP	163.00	6
			#40 GRP	184.00	
			#29 GRP	204.00	
 1 1/8" HEAVY SPLIT MULLION	175006	24'	#17 GRP	204.00	5
			#40 GRP	224.00	
			#29 GRP	246.00	
 SPLIT MULLION INSERT FOR 1 1/8" MULLIONS	175007	24'	#17 GRP	42.00	12
			#40 GRP	50.00	
			#29 GRP	58.00	
 2 1/2" MULLION	175053	24'	#17 GRP	217.00	4
			#40 GRP	235.00	
			#29 GRP	260.00	
 2 1/2" HEAVY MULLION	175054	24'	#17 GRP	273.00	4
			#40 GRP	290.00	
			#29 GRP	315.00	
 2 1/2" SILICONE GLAZE MULLION	175058	24'	#17 GRP	284.00	4
			#40 GRP	300.00	
			#29 GRP	330.00	






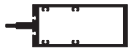



Laws and building and safety codes governing the design and use of glazed entrance, window, and curtain wall products vary widely. Kawneer does not control the selection of product configurations, operating hardware, or glazing materials, and assumes no responsibility therefor.

Kawneer reserves the right to change configuration without prior notice when deemed necessary for product improvement.

© Kawneer Company, Inc., 2008

EC-97912-02

MOLDINGS

DESCRIPTION	PART NO.	FT./UNIT	FINISH	PRICE/UNIT	UNITS/PKG.
MULLIONS – 1" SYSTEM (Continued)					
 2½" SPLIT MULLION	175055	24'	#17 GRP	\$183.00	4
			#40 GRP	200.00	
			#29 GRP	220.00	
 2½" HEAVY SPLIT MULLION	175056	24'	#17 GRP	230.00	4
			#40 GRP	248.00	
			#29 GRP	272.00	
 SPLIT MULLION INSERT FOR 2½" MULLIONS	175057	24'	#17 GRP	60.00	12
			#40 GRP	70.00	
			#29 GRP	80.00	
 4" MULLION	175103	24'	#17 GRP	270.00	4
			#40 GRP	310.00	
			#29 GRP	340.00	
 4" HEAVY MULLION	175104	24'	#17 GRP	322.00	3
			#40 GRP	350.00	
			#29 GRP	390.00	
 4" SILICONE GLAZE MULLION	175108	24'	#17 GRP	328.00	3
			#40 GRP	348.00	
			#29 GRP	380.00	
 4" SPLIT MULLION	175105	24'	#17 GRP	203.00	4
			#40 GRP	230.00	
			#29 GRP	260.00	
 4" HEAVY SPLIT MULLION	175106	24'	#17 GRP	254.00	4
			#40 GRP	280.00	
			#29 GRP	310.00	
 SPLIT MULLION INSERT FOR 4" MULLIONS	175107	24'	#17 GRP	90.00	12
			#40 GRP	100.00	
			#29 GRP	110.00	






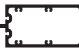






Laws and building and safety codes governing the design and use of glazed entrance, window, and curtain wall products vary widely. Kawneer does not control the selection of product configurations, operating hardware, or glazing materials, and assumes no responsibility therefor.

Kawneer reserves the right to change configuration without prior notice when deemed necessary for product improvement.

© Kawneer Company, Inc., 2008

MOLDINGS

EC-97912-02

DESCRIPTION	PART NO.	FT./UNIT	FINISH	PRICE/UNIT	UNITS/PKG.
MULLIONS – ¼" SYSTEM					
 2 ⁵ / ₁₆ " MULLION	175023	24'	#17 GRP	\$202.00	6
			#40 GRP	210.00	
			#29 GRP	228.00	
 2 ¹ / ₄ " SILICONE GLAZE MULLION	175028	24'	#17 GRP	181.00	6
			#40 GRP	210.00	
			#29 GRP	230.00	
 2 ⁵ / ₁₆ " SPLIT MULLION	175025	24'	#17 GRP	178.00	6
			#40 GRP	190.00	
			#29 GRP	208.00	
 SPLIT MULLION INSERT FOR 2 ⁵ / ₁₆ " MULLIONS	175027	24'	#17 GRP	76.00	12
			#40 GRP	82.00	
			#29 GRP	88.00	
 3 ¹ / ₄ " MULLION	175073	24'	#17 GRP	226.00	4
			#40 GRP	240.00	
			#29 GRP	262.00	
 3 ⁵ / ₁₆ " SILICONE GLAZE MULLION	175078	24'	#17 GRP	216.00	4
			#40 GRP	240.00	
			#29 GRP	266.00	
 3 ¹ / ₄ " SPLIT MULLION	175075	24'	#17 GRP	188.00	4
			#40 GRP	200.00	
			#29 GRP	224.00	
 SPLIT MULLION INSERT FOR 3 ¹ / ₄ " MULLIONS	175077	24'	#17 GRP	70.00	12
			#40 GRP	76.00	
			#29 GRP	84.00	
 4" MULLION	175123	24'	#17 GRP	300.00	4
			#40 GRP	312.00	
			#29 GRP	340.00	
 4 ¹ / ₁₆ " SILICONE GLAZE MULLION	175128	24'	#17 GRP	278.00	4
			#40 GRP	298.00	
			#29 GRP	328.00	
 4" SPLIT MULLION	175125	24'	#17 GRP	230.00	4
			#40 GRP	246.00	
			#29 GRP	268.00	
 SPLIT MULLION INSERT FOR 4" MULLIONS	175127	24'	#17 GRP	122.00	11
			#40 GRP	130.00	
			#29 GRP	142.00	






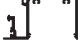


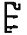
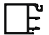

Laws and building and safety codes governing the design and use of glazed entrance, window, and curtain wall products vary widely. Kawneer does not control the selection of product configurations, operating hardware, or glazing materials, and assumes no responsibility therefor.

Kawneer reserves the right to change configuration without prior notice when deemed necessary for product improvement.

© Kawneer Company, Inc., 2008

EC-97912-02

MOLDINGS

DESCRIPTION	PART NO.	FT./UNIT	FINISH	PRICE/UNIT	UNITS/PKG.
STANDARD PERIMETER GUTTERS – 1" SYSTEM					
 1 1/8" GUTTER	175001	24'	#17 GRP	\$178.00	6
			#40 GRP	196.00	
			#29 GRP	216.00	
 2 1/2" GUTTER	175051	24'	#17 GRP	188.00	4
			#40 GRP	214.00	
			#29 GRP	240.00	
 OPTIONAL 2 1/2" GUTTER	175050	24'	#17 GRP	203.00	4
			#40 GRP	229.00	
			#29 GRP	255.00	
 4" GUTTER	175101	24'	#17 GRP	212.00	4
			#40 GRP	244.00	
			#29 GRP	270.00	
 OPTIONAL 4" GUTTER	175100	24'	#17 GRP	227.00	4
			#40 GRP	259.00	
			#29 GRP	285.00	
STANDARD PERIMETER GUTTERS – 1/4" SYSTEM					
 2 5/8" GUTTER	175021	24'	#17 GRP	170.00	6
			#40 GRP	185.00	
			#29 GRP	204.00	
 3 3/4" GUTTER	175071	24'	#17 GRP	186.00	4
			#40 GRP	202.00	
			#29 GRP	228.00	
 4 3/4" GUTTER	175121	24'	#17 GRP	210.00	4
			#40 GRP	240.00	
			#29 GRP	270.00	
NARROW PERIMETER FACES					
 5/8" FACE	175157	24'	#17 GRP	50.00	12
			#40 GRP	58.00	
			#29 GRP	67.00	
 1 1/8" FACE	175158	24'	#17 GRP	82.00	12
			#40 GRP	98.00	
			#29 GRP	110.00	
NARROW PERIMETER GUTTERS – 1" SYSTEM					
 1 1/8" GUTTER	175011	24'	#17 GRP	140.00	6
			#40 GRP	158.00	
			#29 GRP	172.00	












Laws and building and safety codes governing the design and use of glazed entrance, window, and curtain wall products vary widely. Kawneer does not control the selection of product configurations, operating hardware, or glazing materials, and assumes no responsibility therefor.

Kawneer reserves the right to change configuration without prior notice when deemed necessary for product improvement.

© Kawneer Company, Inc., 2008

MOLDINGS

EC-97912-02

DESCRIPTION	PART NO.	FT./UNIT	FINISH	PRICE/UNIT	UNITS/PKG.
NARROW PERIMETER GUTTERS – 1" SYSTEM (Continued)					
 2½" GUTTER	175061	24'	#17 GRP	\$160.00	4
			#40 GRP	182.00	
			#29 GRP	204.00	
 4" GUTTER	175111	24'	#17 GRP	184.00	4
			#40 GRP	220.00	
			#29 GRP	248.00	
NARROW PERIMETER GUTTERS – ¼" SYSTEM					
 2⅝" GUTTER	175031	24'	#17 GRP	144.00	6
			#40 GRP	162.00	
			#29 GRP	180.00	
 3¼" GUTTER	175081	24'	#17 GRP	160.00	4
			#40 GRP	192.00	
			#29 GRP	212.00	
 4¼" GUTTER	175131	24'	#17 GRP	184.00	4
			#40 GRP	224.00	
			#29 GRP	250.00	
FLASHINGS – STANDARD PERIMETERS					
 FOR USE WITH 1⅝" & 2⅝" GUTTER	175002	24'	#17 GRP	80.00	6
			#40 GRP	94.00	
			#29 GRP	104.00	
 FOR USE WITH 2½" & 3¼" GUTTER	175052	24'	#17 GRP	94.00	6
			#40 GRP	110.00	
			#29 GRP	124.00	
 FOR USE WITH 4" & 4¼" GUTTER	175102	24'	#17 GRP	115.00	6
			#40 GRP	136.00	
			#29 GRP	154.00	
FLASHINGS – NARROW PERIMETERS					
 FOR USE WITH 1⅝" & 2⅝" GUTTER	175012	24'	#17 GRP	74.00	6
			#40 GRP	86.00	
			#29 GRP	98.00	
 FOR USE WITH 2½" & 3¼" GUTTER	175062	24'	#17 GRP	86.00	6
			#40 GRP	106.00	
			#29 GRP	118.00	
 FOR USE WITH 4" & 4¼" GUTTER	175112	24'	#17 GRP	108.00	6
			#40 GRP	128.00	
			#29 GRP	140.00	



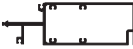
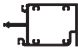
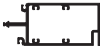
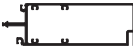





Laws and building and safety codes governing the design and use of glazed entrance, window, and curtain wall products vary widely. Kawneer does not control the selection of product configurations, operating hardware, or glazing materials, and assumes no responsibility therefor.

Kawneer reserves the right to change configuration without prior notice when deemed necessary for product improvement.

© Kawneer Company, Inc., 2008

EC-97912-02

MOLDINGS

DESCRIPTION	PART NO.	FT./UNIT	FINISH	PRICE/UNIT	UNITS/PKG.
CORNERS/HORIZONTALS – 1" SYSTEM					
 1½" MULLION	175009	24'	#17 GRP	\$210.00	4
			#40 GRP	228.00	
			#29 GRP	248.00	
 2½" MULLION	175059	24'	#17 GRP	234.00	4
			#40 GRP	256.00	
			#29 GRP	282.00	
 4" MULLION	175109	24'	#17 GRP	284.00	4
			#40 GRP	310.00	
			#29 GRP	340.00	
CORNERS/HORIZONTALS – ¼" SYSTEM					
 2⅝" MULLION	175029	24'	#17 GRP	188.00	4
			#40 GRP	208.00	
			#29 GRP	228.00	
 3¼" MULLION	175079	24'	#17 GRP	214.00	4
			#40 GRP	234.00	
			#29 GRP	260.00	
 4¾" MULLION	175129	24'	#17 GRP	260.00	4
			#40 GRP	308.00	
			#29 GRP	340.00	
DOOR JAMBS					
 4½" S.A. DOOR JAMB (WITH WEATHERING)	175641	24'	#17 GRP	312.00	4
			#40 GRP	336.00	
			#29 GRP	368.0	
 4½" D.A. DOOR JAMB	175231	24'	#17 GRP	274.00	4
			#40 GRP	296.00	
			#29 GRP	328.00	
 4½" S.A. DOOR JAMB (WITH WEATHERING)	175642	24'	#17 GRP	312.00	4
			#40 GRP	336.00	
			#29 GRP	366.00	
 4½" D.A. DOOR JAMB	175232	24'	#17 GRP	262.00	4
			#40 GRP	284.00	
			#29 GRP	312.00	
 4½" S.A. COMMON JAMB (WITH WEATHERING)	175640	24'	#17 GRP	282.00	4
			#40 GRP	302.00	
			#29 GRP	334.00	


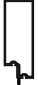








Laws and building and safety codes governing the design and use of glazed entrance, window, and curtain wall products vary widely. Kawneer does not control the selection of product configurations, operating hardware, or glazing materials, and assumes no responsibility therefor.

Kawneer reserves the right to change configuration without prior notice when deemed necessary for product improvement.

© Kawneer Company, Inc., 2008

MOLDINGS

EC-97912-02

DESCRIPTION	PART NO.	FT./UNIT	FINISH	PRICE/UNIT	UNITS/PKG.
DOOR JAMBS (Continued)					
 ¼" SSG DOOR JAMB	175271	24'	#17 GRP	\$262.00	4
			#40 GRP	284.00	
			#29 GRP	310.00	
 ¼" SSG DOOR JAMB	175272	24'	#17 GRP	300.00	4
			#40 GRP	315.00	
			#29 GRP	345.00	
TRANSOM BARS					
 4½" S.A. TRANSOM BAR (WITH WEATHERING)	175653	24'	#17 GRP	330.00	—
			#40 GRP	350.00	
			#29 GRP	380.00	
 4½" D.A. TRANSOM BAR	175221	24'	#17 GRP	330.00	—
			#40 GRP	350.00	
			#29 GRP	380.00	
 4½" D.A. TRANSOM BAR	175206	24'	#17 GRP	220.00	—
			#40 GRP	248.00	
			#29 GRP	270.00	
 6" S.A. TRANSOM BAR (WITH WEATHERING)	175654	24'	#17 GRP	396.00	—
			#40 GRP	420.00	
			#29 GRP	456.00	
 6" D.A. TRANSOM BAR	175222	24'	#17 GRP	440.00	—
			#40 GRP	462.00	
			#29 GRP	498.00	
 6" D.A. TRANSOM BAR	175207	24'	#17 GRP	308.00	—
			#40 GRP	340.00	
			#29 GRP	370.00	
 INSERT FOR 4½" & 6" TRANSOM BARS (WITH WEATHERING)	450500	24'	#17 GRP	80.00	—
			#40 GRP	90.00	
			#29 GRP	108.00	
 INSERT FOR 4½" & 6" TRANSOM BARS	450084	24'	#17 GRP	92.00	—
			#40 GRP	108.00	
			#29 GRP	118.00	









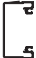



Laws and building and safety codes governing the design and use of glazed entrance, window, and curtain wall products vary widely. Kawneer does not control the selection of product configurations, operating hardware, or glazing materials, and assumes no responsibility therefor.

Kawneer reserves the right to change configuration without prior notice when deemed necessary for product improvement.

© Kawneer Company, Inc., 2008

EC-97912-02

MOLDINGS

DESCRIPTION	PART NO.	FT./UNIT	FINISH	PRICE/UNIT	UNITS/PKG.	
DOOR FRAME ADAPTORS						
	S/A DOOR FRAME ADAPTOR (WITH WEATHERING)	175643	24'	#17 GRP	\$200.00	—
				#40 GRP	212.00	
				#29 GRP	234.00	
	D/A DOOR FRAME ADAPTOR	175233	24'	#17 GRP	160.00	—
				#40 GRP	170.00	
				#29 GRP	188.00	
	S/A COMMON DOOR FRAME ADAPTOR (WITH WEATHERING)	175644	24'	#17 GRP	258.00	—
				#40 GRP	270.00	
				#29 GRP	296.00	
	D/A COMMON DOOR FRAME ADAPTOR	175234	24'	#17 GRP	202.00	—
				#40 GRP	220.00	
				#29 GRP	250.00	
	SSG DOOR FRAME ADAPTOR	175273	24'	#17 GRP	160.00	—
				#40 GRP	170.00	
				#29 GRP	188.00	
	SSG DOOR FRAME ADAPTOR	175274	24'	#17 GRP	202.00	—
				#40 GRP	220.00	
				#29 GRP	250.00	
GLASS STOPS/INSERTS/FILLERS						
	TRANSOM STOP	175251	24'	#17 GRP	41.00	8
				#40 GRP	48.00	
				#29 GRP	56.00	
	TRANSOM STOP	175252	24'	#17 GRP	52.00	8
				#40 GRP	58.00	
				#29 GRP	66.00	
	TRANSOM FILLER	175253	24'	#17 GRP	98.00	—
				#40 GRP	112.00	
				#29 GRP	123.00	
	1/4" GLASS ADAPTOR	175171	24'	#17 GRP	36.00	—
				#40 GRP	40.00	
				#29 GRP	45.00	
	1/2" GLASS ADAPTOR	175173	24'	#17 GRP	34.00	—
				#40 GRP	40.00	
				#29 GRP	46.00	
	3/4" GLASS ADAPTOR	175175	24'	#17 GRP	34.00	—
				#40 GRP	40.00	
				#29 GRP	46.00	






Laws and building and safety codes governing the design and use of glazed entrance, window, and curtain wall products vary widely. Kawneer does not control the selection of product configurations, operating hardware, or glazing materials, and assumes no responsibility therefor.

Kawneer reserves the right to change configuration without prior notice when deemed necessary for product improvement.

© Kawneer Company, Inc., 2008

MOLDINGS


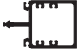






EC-97912-02

DESCRIPTION	PART NO.	FT./UNIT	FINISH	PRICE/UNIT	UNITS/PKG.
GLASS STOPS/INSERTS/FILLERS (Continued)					
 GLASSVENT™ ADAPTOR	452132	12'	#00	\$ 19.00	—
 SNAP-IN POCKET FILLER FOR 1" SYSTEM	175261	24'	#17 GRP	38.00	—
			#40 GRP	46.00	
			#29 GRP	52.00	
SILICONE GLAZING ADAPTORS					
 SSG ADAPTOR – ¼" GLASS	175172	24'	#17 GRP	51.00	—
			#40 GRP	55.00	
			#29 GRP	61.00	
 SSG ADAPTOR – ½" GLASS	175176	24'	#17 GRP	51.00	—
			#40 GRP	55.00	
			#29 GRP	61.00	
WINDOW ADAPTOR – 1"					
 ADAPTOR FOR WINDOWS – 1" SYSTEM	175174	24'	#17 GRP	50.00	—
			#40 GRP	58.00	
			#29 GRP	65.00	

Laws and building and safety codes governing the design and use of glazed entrance, window, and curtain wall products vary widely. Kawneer does not control the selection of product configurations, operating hardware, or glazing materials, and assumes no responsibility therefor.

Kawneer reserves the right to change configuration without prior notice when deemed necessary for product improvement.

© Kawneer Company, Inc., 2008

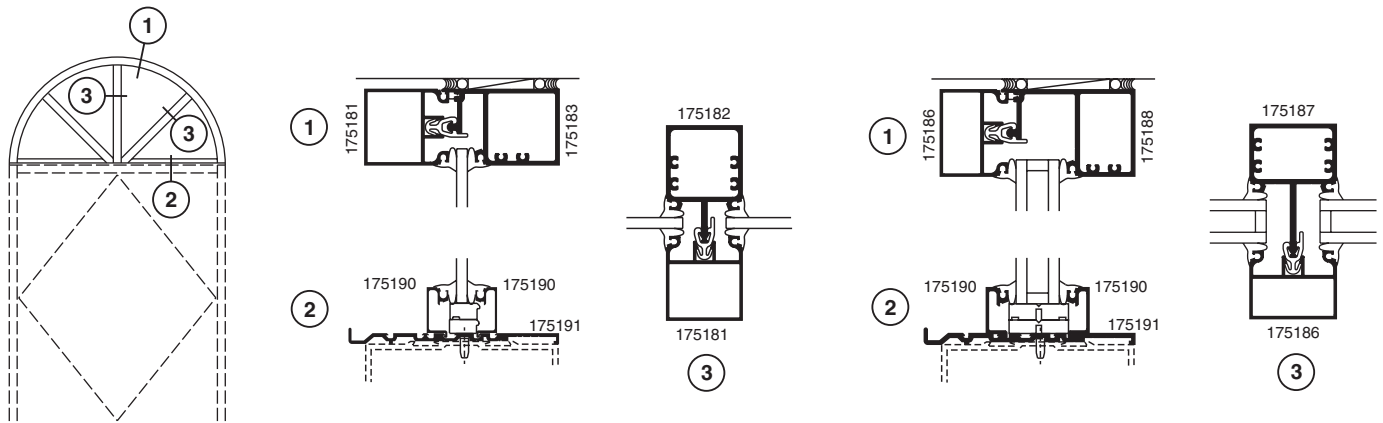
DESCRIPTION	PART NO.	FT./UNIT	FINISH	PRICE/UNIT	UNITS/PKG.
TO MATCH TRIFAB® VG 450 CENTER (1¾" X 4½")¹					
 COVER	175181	24'	#17 GRP	\$132.00	8
			#40 GRP	145.00	
			#29 GRP	158.00	
 MULLION	175182	24'	#17 GRP	277.00	4
			#40 GRP	300.00	
			#29 GRP	322.00	
 GUTTER	175183	24'	#17 GRP	207.00	4
			#40 GRP	225.00	
			#29 GRP	244.00	
TO MATCH TRIFAB® VG 451/451T CENTER (2" X 4½")¹					
 COVER	175186	24'	#17 GRP	130.00	8
			#40 GRP	142.00	
			#29 GRP	155.00	
 MULLION	175187	24'	#17 GRP	225.00	4
			#40 GRP	245.00	
			#29 GRP	264.00	
 GUTTER	175188	24'	#17 GRP	224.00	4
			#40 GRP	245.00	
			#29 GRP	267.00	
TRANSOM AREA ADAPTORS^{1,2}					
 TRANSOM TRANSITION ADAPTOR	175191	24'	#17 GRP	157.00	8
			#40 GRP	171.00	
			#29 GRP	186.00	
 TRANSOM TRANSITION ADAPTOR GLASS STOP	175190	24'	#17 GRP	52.00	8
			#40 GRP	57.00	
			#29 GRP	62.00	

NOTES

¹CONSULT APPLICATION ENGINEERING FOR FABRICATION AND INSTALLATION GUIDELINES.

²THESE SHAPES ARE ALSO DESIGNED TO WORK WITH 4½" STANDARD ENCORE FRAMING MEMBERS.








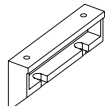






CURVING COMPONENTS AND COMBINATIONS TO MATCH TRIFAB® VG 450/451/451T CENTER



Laws and building and safety codes governing the design and use of glazed entrance, window, and curtain wall products vary widely. Kawneer does not control the selection of product configurations, operating hardware, or glazing materials, and assumes no responsibility therefor.

Kawneer reserves the right to change configuration without prior notice when deemed necessary for product improvement.

© Kawneer Company, Inc., 2008







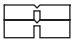
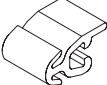
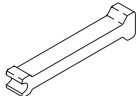
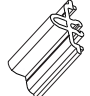


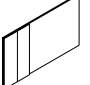



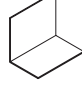
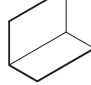
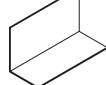
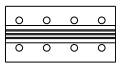
DESCRIPTION					
	1 3/4" MEMBERS SHEAR BLOCKS		1 1/4" PERIMETERS SHEAR BLOCKS		
PART NO.	175501	175502	175509	175510	
PRICE/EACH	\$2.60	\$3.60	\$2.56	\$2.45	
PIECES/PKG.	1	1	1	1	
INCLUDES	(2) #028400 (1) #128345	(3) #028400 (1) #128345	(1) #175323 (2) #028400 (1) #128345	(1) #175324 (2) #028400 (1) #128345	
DESCRIPTION	 C/H SHEAR BLOCK PKG.	 R/H O/P OR B/H SHEAR BLOCK PKG.	 L/H O/P OR B/H SHEAR BLOCK PKG.		
PART NO.	175601	175602	175603		
PRICE/EACH	\$3.00	\$3.00	\$3.00		
PIECES/PKG.	1	1	1		
INCLUDES	(1) #175316 (3) #028400 (2) #128345	(1) #175317 (3) #028400 (2) #128345	(1) #175318 (3) #028400 (2) #128345		
DESCRIPTION	 CENTER HUNG DOOR HEADER SHEAR BLOCK	 OFFSET PIVOT T-BAR SHEAR BLOCK	 BUTT HUNG T-BAR SHEAR BLOCK		
PART NO.	450440	450548	450549		
PRICE/EACH	\$9.00	\$9.00	\$9.00		
PIECES/PKG.	1	1	1		
INCLUDES	(3) #128370 (1) #128112 (2) #028536	(2) #028400 (4) #128345	(4) #028400 (4) #128345		
DESCRIPTION	 END LOAD CLIP PKG. (ALL SYSTEMS)	 SHEAR BLOCK SCREW	 SHEAR BLOCK SCREW	 HOLE PLUG	
PART NO.	175503	128345	028400	027633	
PRICE/EACH	\$23.45	\$0.15	\$0.18	\$1.75	
PIECES/PKG.	1	100	100	100	
INCLUDES	(6) #128262	—	—	—	

Laws and building and safety codes governing the design and use of glazed entrance, window, and curtain wall products vary widely. Kawneer does not control the selection of product configurations, operating hardware, or glazing materials, and assumes no responsibility therefor.

Kawneer reserves the right to change configuration without prior notice when deemed necessary for product improvement.
© Kawneer Company, Inc., 2008

EC-97912-02

ACCESSORIES

								
DESCRIPTION	1" STD. PERIMETER	1" NARROW PERIMETER	1/4" STD. PERIMETER	1/4" NARROW PERIMETER	1/4" & 1" SYSTEMS STD. TONGUE HORIZ.	1/4" & 1" SYSTEMS HEAVY TONGUE HORIZ.		
PART NO.	175504	175506	175505	175507	EPDM 175309	SILICONE 175309-SI	EPDM 175303	SILICONE 175303-SI
PRICE/EACH	\$6.10	\$6.00	\$5.45	\$5.00	\$1.50	\$7.50	\$1.20	\$6.00
PIECES/PKG.	1 EA. PER LITE	1 EA. PER LITE	1 EA. PER LITE	1 EA. PER LITE	1		1	
INCLUDES	(2) SETTING CHAIRS (2) SETTING BLOCKS	(2) SETTING CHAIRS (2) SETTING BLOCKS	(2) SETTING CHAIRS (1) SETTING BLOCK	(2) SETTING CHAIRS (1) SETTING BLOCK	—		—	
								
DESCRIPTION	1/4" & 1" SETTING BLOCKS	GLAZING CLIP	CLIP INSTALLATION TOOL	TEMPORARY GLAZING CLIP	DUTCHMAN CLIP	WATER DEFLECTOR	OPTIONAL COVER CAP	
PART NO.	175511	175310	175432	175333	436101	175313	175334	
PRICE/EACH	\$2.05	\$0.58	\$5.00	\$0.70	\$2.30	\$1.25	\$10.50	
PIECES/PKG.	1	100	—	—	—	1	1	
FOR USE WITH	TRANSOM BARS	ALL	—	—	SSG MULLIONS	1" SYSTEM	1/4" & 1" SYSTEM	
								
DESCRIPTION	SPLINE SCREW	SSG ADAPTOR SCREW	END DAM	END DAM	END DAM	END DAM	8" XPANDR™ SPLICE SLEEVE	
PART NO.	128200	028727	175508	175328	175329	175330	027094	
PRICE/EACH	\$0.35	\$0.13	\$2.00	\$2.00	\$2.00	\$2.00	\$6.85	
PIECES/PKG.	100	100	1	1	1	1	1	
INCLUDES	—	—	(2) #128345 (1) #175315	USED WITH #175002 & #175012	USED WITH #175052 & #175062	USED WITH #175102 & #175112	—	









Laws and building and safety codes governing the design and use of glazed entrance, window, and curtain wall products vary widely. Kawneer does not control the selection of product configurations, operating hardware, or glazing materials, and assumes no responsibility therefor.

Kawneer reserves the right to change configuration without prior notice when deemed necessary for product improvement.

© Kawneer Company, Inc., 2008

ACCESSORIES








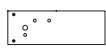
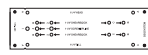
EC-97912-02

						
DESCRIPTION	LIGHT PUSH-ON	STANDARD PUSH-ON	HEAVY PUSH-ON	SSG WEATHERING	WEATHERING REMOVAL TOOL	
PART NO.	027076	027074	027077	175302	175332	
PRICE/EACH	\$208.00	\$230.00	\$272.00	\$410.00	\$24.00	
STOCK LENGTH	500'	500'	500'	250'	—	
FOR USE WITH	ALL	ALL	ALL	SSG MULLIONS	ALL	
DESCRIPTION						
	STANDARD	MULLION SEAL	OPTIONAL PERIMETER FILLER (POLYSTYRENE)			
PART NO.	175301	445109	175314			
PRICE/EACH	\$210.00	\$540.00	\$165.00			
STOCK LENGTH	500'	500'	4 3/8" X 1 1/2" X 4' EACH			
QUANTITY	—	—	100 PIECES			

175314

NOTE: 100 PARTS PER PACKAGE

100 PARTS = TO 800 FEET FOR: 3 3/8" FRONT GLAZED SYSTEMS 4 1/2" CENTER GLAZED SYSTEMS 4 1/2" FRONT GLAZED SYSTEMS FOR 1" GLASS	100 PARTS = 400 FEET 4 1/2" FRONT GLAZED SYSTEM FOR 1/4" GLASS 6" FRONT GLAZED SYSTEMS
---	---

DESCRIPTION						
	STANDARD PERIMETER FILLERS — #10 FINISH					
PART NO.	175010	175030	175060	175080	175110	175130
PRICE/EACH	\$30.00	\$35.00	\$40.00	\$45.00	\$50.00	\$55.00
STOCK LENGTH	12'-0"	12'-0"	12'-0"	12'-0"	12'-0"	12'-0"
FOR USE WITH	#175001 #175011	#175021 #175031	#175051 #175061	#175071 #175081	#175101 #175111	#175121 #175131
DESCRIPTION						
PART NO.	175420	175421	175431			
PRICE/EACH	\$350.00	\$300.00	\$350.00			
FOR USE WITH	STANDARD SYSTEMS	SSG SHEAR BLOCKS	1 1/4" PERIMETER			

Laws and building and safety codes governing the design and use of glazed entrance, window, and curtain wall products vary widely. Kawneer does not control the selection of product configurations, operating hardware, or glazing materials, and assumes no responsibility therefor.

Kawneer reserves the right to change configuration without prior notice when deemed necessary for product improvement.
© Kawneer Company, Inc., 2008